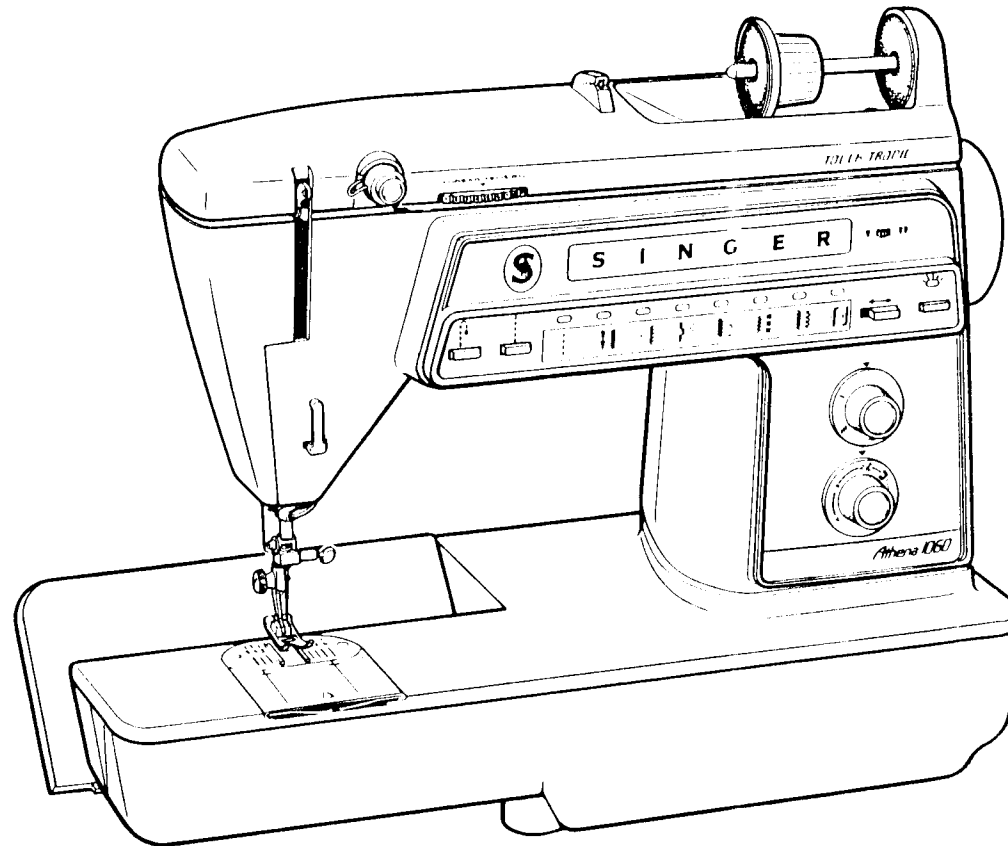


# **SINGER**

## **1060E**

# LIST OF PARTS FOR 1060E MACHINE



THE SINGER COMPANY  
COPYRIGHT © 1977 THE SINGER COMPANY  
ALL RIGHTS RESERVED THROUGHOUT THE WORLD

From the library of: Diamond Needle Corp



**INDEX TO SUBASSEMBLY IN 1060E MACHINE PARTS LIST**

<b>PAGE NO.</b>	<b>SUBASSEMBLY</b>	<b>SUBASSEMBLY CODE</b>
3	ATTACHMENT SETS	261
4 & 5	ROTATING HOOK	041
6 TO 9	FEED MECHANISM	052
10 TO 13	COVERS	128
14 TO 17	HEAD END AND HAND WHEEL	133
18 & 19	ELECTRONICS FOR CONTROL PANEL	6211
20 & 21	ELECTRICAL EQUIPMENT (110-120 VOLTS)	6311
22 & 23	FEED DRIVE LINEAR MOTOR	651
24 & 25	BIGHT DRIVE MECHANISM	671

**NOTE:** SUBASSEMBLY CODE IS USED FOR COMPUTER INDEX ONLY AND SHOULD NOT BE USED FOR PARTS ORDERING.

From the library of: Diamond Needle Corp

1060F 3 PARTS LIST

-ATTACHMENT SET - 261

REF.	PART NO.	DESCRIPTION
01	171434-990	ATTACHMENT BOX COMPL.
02	N2020	NEEDLE, SIZE NO. 16.
02	N2020	NEEDLE, SIZE NO. 14.
02	N2020	NEEDLE, SIZE NO. 11.
02	N2025	NEEDLE (TWIN), SIZE NO. 14.
02	N2045	NEEDLE, SIZE NO. 14.
03	171468	THROAT PLATE FOR STRAIGHT SEWING (181841-900 MACHINED).
04	381247	FEED COVER PLATE, FOR DARNING & EMBROIDERY (172706-900 MACHINED).
05	502277	PRESSER FOOT PLATE (SNAP-ON) FOR STRAIGHT SEWING (502277-900 PLATED).
06	171463	SPECIAL PURPOSE PRESSER FOOT PLATE (SNAP-ON).
07	506377	PRESSER FOOT PLATE (SNAP-ON) FOR SEWING BUTTONHOLES (TWO-STEP).
08	161166	PRESSER FOOT (HINGED, ADJUSTABLE FOR SEWING EITHER ON RIGHT OR LEFT SIDE OF NEEDLE) FOR CORDING & SLIDE FASTENERS COMPL..
09	171469	PRESSER FOOT PLATE (SNAP-ON, SLOTTED) FOR OVEREDGE STRETCH STITCH SEWING.
10	161977-452	SCREW DRIVER WITH MOLDED PLASTIC HANDLE.
11	381066	PRESSER FOOT FOR BUTTON SEWING (6 MM. BIGHT).
12	511267	BUTTONHOLE MARKING & MEASURING GAUGE.
13	171110	BLINDSTITCH HEM GUIDE.
14	161170	SEAM & BLINDSTITCH HEM GUIDE.
15	163131	BOBBIN.
16	171150-656	SPOOL PIN, FOR TWIN NEEDLE SEWING.
17	507664-454	ARM TOP COVER SPOOL PIN THREAD LEAD-OFF (SMALL, PLASTIC).

From the library of: Diamond Needle Corp

## 1060E 3 PARTS LIST

-ROTATING HOOK - 041

REF.	PART NO.	DESCRIPTION
01	163131	ROTATING HOOK BOBBIN.
02	163246	ROTATING HOOK BOBBIN DRIVER.
03	141722-830	ROTATING HOOK BOBBIN LATCH TENSION SPRING SCREW.
04	153143	ROTATING HOOK BOBBIN CASE.
05	514603	ROTATING HOOK BOBBIN LATCH TENSION SPRING SCREW NUT.
06	511288	ROTATING HOOK BOBBIN LATCH TENSION SPRING.
07	163289	ROTATING HOOK (163289-900 FINISH MACHINED).
08	382806	THROAT PLATE, FOR ZIG-ZAG SEWING (181841-900 MACHINED).
09	354136-452	ROTATING HOOK BOBBIN CASE POSITION FINGER SCREW.
10	383471	ROTATING HOOK BOBBIN CASE POSITION FINGER.
11	172950	ROTATING HOOK BOBBIN CASE POSITION FINGER WASHER.
12	174237	THREAD PULL-OFF.
13	141824-814	THREAD PULL-OFF MOUNTING BRACKET SCREW.
14	141825-830	THROAT PLATE CATCH PIN SCREW.
15	382822-451	ROTATING HOOK BOBBIN WINDER ACTUATING LEVER SHAFT WITH MOLDED PLASTIC LEVER.
16	354103-451	ROTATING HOOK FLANGED BUSHING (ECCENTRIC) SET SCREW.
17	382820	ROTATING HOOK BOBBIN WINDER ACTUATING LEVER SHAFT CAM.
18	163384	ROTATING HOOK BOBBIN DRIVER LOCATOR NUT.
19	163793	ROTATING HOOK BOBBIN WINDER LIFTING BRACKET.
20	163247	ROTATING HOOK BOBBIN DRIVER LOCATOR.
21	163791	ROTATING HOOK BOBBIN WINDER ACTUATING LEVER SHAFT CAM FOLLOWER SPRING.
22	382879	ROTATING HOOK BEVEL GEAR (PLASTIC).
23	382859	<del>BED (CONVERTIBLE) SLIDE SCREW.</del>
24	141861-451	ROTATING HOOK BOBBIN CASE CUSHION SPRING BRACKET ADJUSTING STUD (ECCENTRIC) SET SCREW.

001

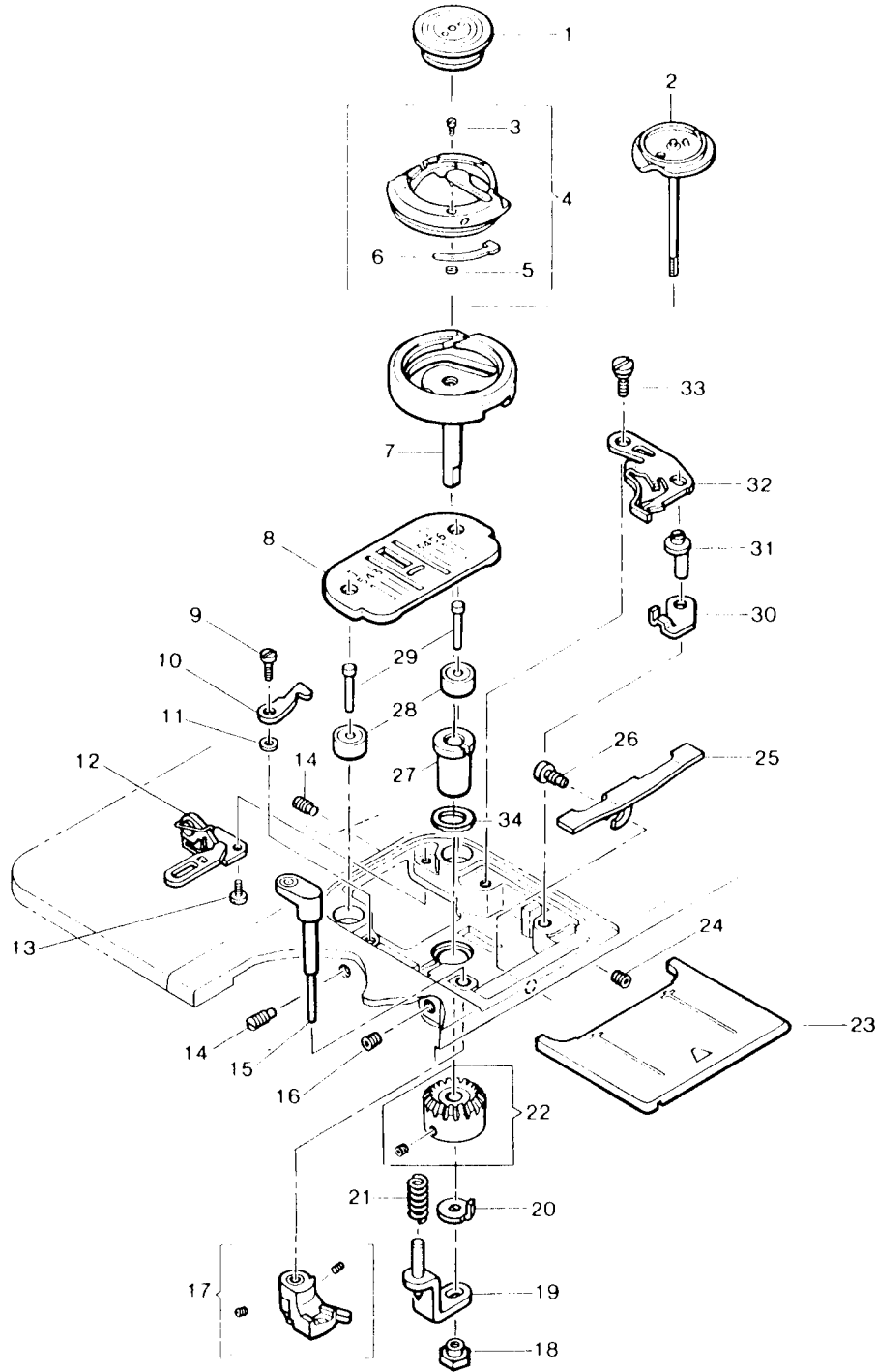
## 1060E 3 PARTS LIST

-ROTATING HOOK - 041

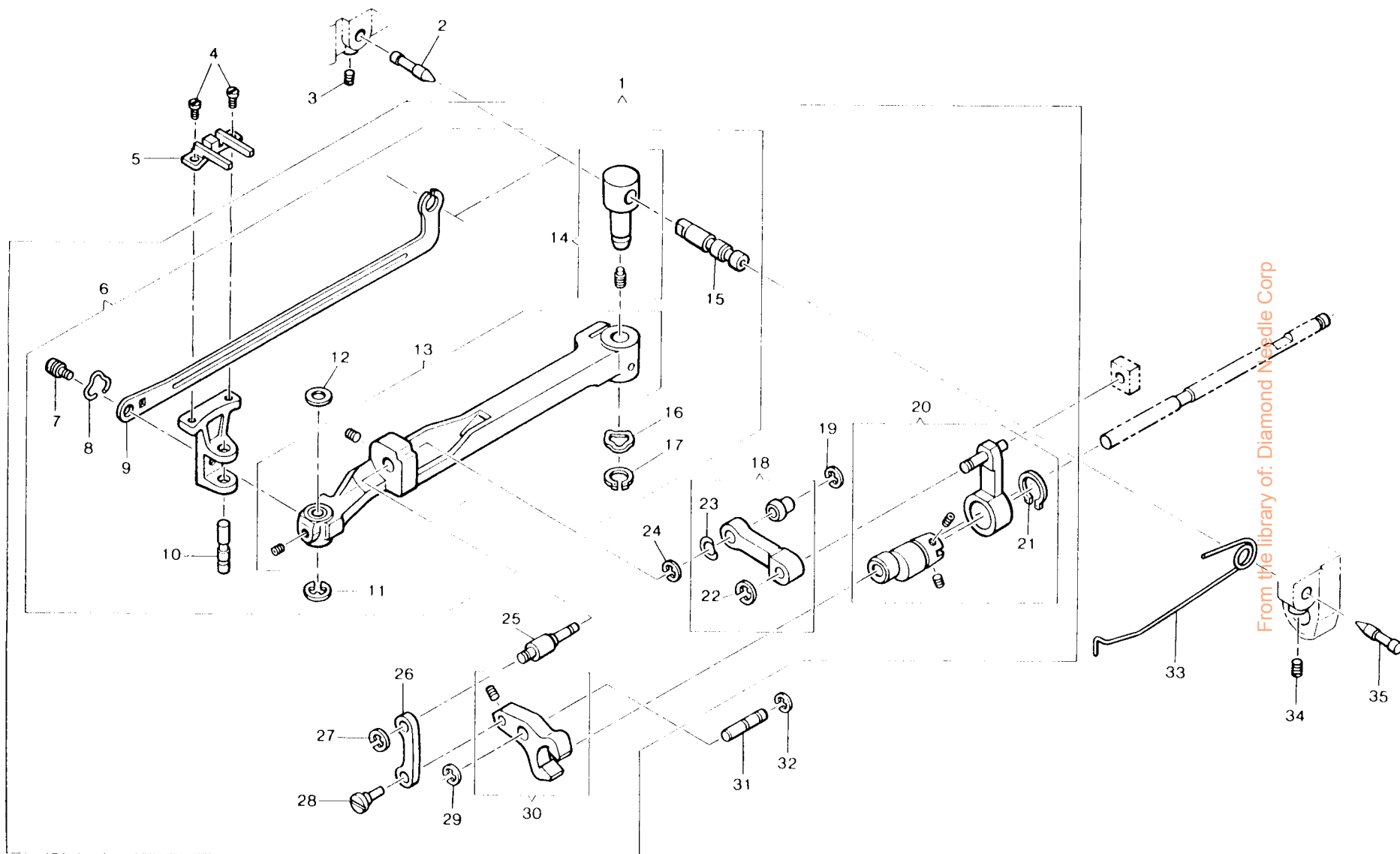
REF.	PART NO.	DESCRIPTION
25	382713	BED (CONVERTIBLE) SLIDE SPRING.
26	354519-452	BED (CONVERTIBLE) SLIDE SPRING SCREW.
27	181581	ROTATING HOOK FLANGED BUSHING (ECCENTRIC) (181581-900 MACHINED).
28	507196	THROAT PLATE SECURING MAGNET.
29	174256	THROAT PLATE CATCH PIN.
30	172987	ROTATING HOOK BOBBIN CASE CUSHION SPRING BRACKET RETAINING BRACKET.
31	172988	ROTATING HOOK BOBBIN CASE CUSHION SPRING BRACKET ADJUSTING STUD (ECCENTRIC).
32	382437	ROTATING HOOK BOBBIN CASE CUSHION SPRING BRACKET.
33	354556-452	ROTATING HOOK BOBBIN CASE CUSHION SPRING BRACKET HINGE SCREW.
34	382827	ROTATING HOOK FLANGED BUSHING SPACER.

From the library of: Diamond Needle Corp

- ROTATING HO - 041



From the library of: Diamond Needle Corp



From the library of: Diamond Needle Corp

## 1060E 3 PARTS LIST

-FEED MECHANISM - 052

REF.	PART NO.	DESCRIPTION
01	382808	FEED BAR.
02	172801	FEED BAR PIVOT HINGE STUD ADJUSTING PIN (ECCENTRIC) CENTER (BACK).
03	141814-451	FEED BAR PIVOT HINGE STUD ADJUSTING PIN (ECCENTRIC) CENTER (BACK) SET SCREW.
04	141896-451	FEED DOG SCREW.
05	181843	FEED DOG (181843-900 WITH URETHANE COATING).
06	382807	FEED BAR ASSEMBLY (MACHINED).
07	141827-803	FEED DOG HOLDER COMPENSATING LINK SCREW STUD.
08	511075	FEED DOG HOLDER COMPENSATING LINK RETAINING SPRING.
09	174216	FEED DOG HOLDER COMPENSATING LINK (174216-900 HARDENED & WITH BLACK OXIDE FINISH).
10	174217	FEED DOG HOLDER STUD.
11	163562	FEED DOG HOLDER STUD RETAINING RING.
12	174251	FEED DOG HOLDER WASHER.
13	174243	FEED BAR.
14	174214	FEED BAR PIVOT HINGE STUD.
15	381833	FEED BAR PIVOT HINGE STUD ADJUSTING PIN (ECCENTRIC) (174249-900 MACHINED).
16	383316	FEED BAR PIVOT HINGE STUD SPRING WASHER.
17	172876	FEED BAR PIVOT HINGE STUD RETAINING RING.
18	381806	FEED BAR CONNECTION.
19	163562	FEED BAR CONNECTION & FEED LIFTING FORK CONNECTION HINGE STUD (ECCENTRIC) RETAINING RING.
20	172880	FEED REGULATOR SLIDE BLOCK DRIVE CONNECTION.
21	174277	FEED REGULATOR SLIDE BLOCK DRIVE CONNECTION RETAINING RING.
22	151576	FEED BAR CONNECTION RETAINING RING.
23	172947	FEED BAR CONNECTION & FEED LIFTING FORK CONNECTION HINGE STUD (ECCENTRIC) SPRING WASHER.

003

## 1060E 3 PARTS LIST

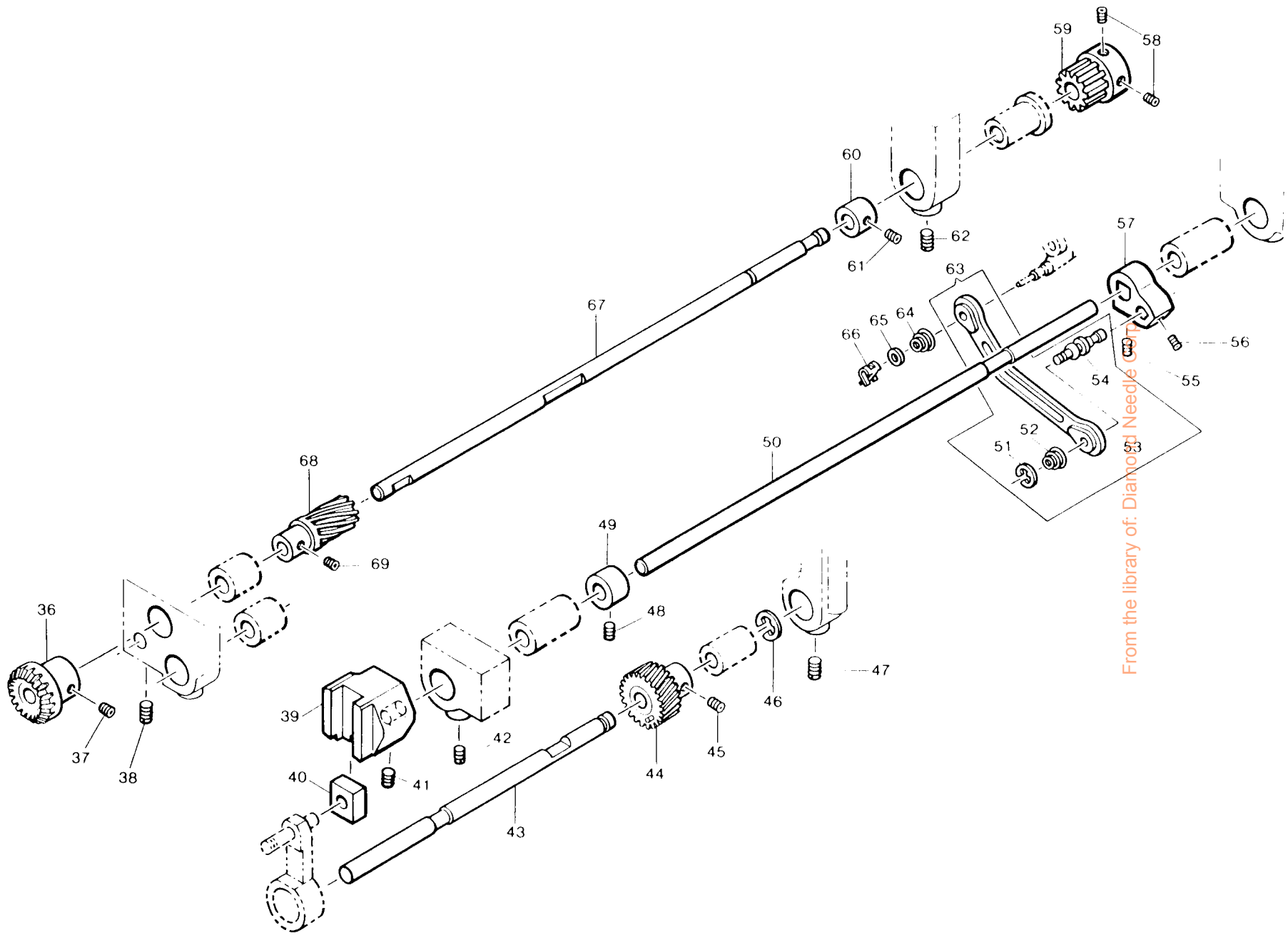
-FEED MECHANISM - 052

REF.	PART NO.	DESCRIPTION
24	163562	FEED BAR CONNECTION RETAINING RING.
25	174247	FEED BAR CONNECTION & FEED LIFTING FORK CONNECTION HINGE STUD (ECCENTRIC).
26	511016	FEED LIFTING FORK CONNECTION.
27	163562	FEED LIFTING FORK CONNECTION RETAINING RING.
28	174220	FEED LIFTING FORK CONNECTION HINGE STUD (ECCENTRIC).
29	163562	FEED LIFTING FORK HINGE STUD RETAINING RING (LEFT).
30	174276	FEED LIFTING FORK.
31	511057	FEED LIFTING FORK HINGE STUD.
32	163562	FEED LIFTING FORK HINGE STUD RETAINING RING (RIGHT).
33	511352	FEED BAR SPRING.
34	354598-451	FEED BAR PIVOT HINGE STUD ADJUSTING PIN (ECCENTRIC) CENTER (FRONT) SET SCREW.
35	382998	FEED BAR PIVOT HINGE STUD ADJUSTING PIN (ECCENTRIC) CENTER (FRONT).

From the library of: Diamond Needle Corp



- FEED MECHANISM - 052



From the library of: [Diamogri Needle Co. Ltd.](#)

## 1060E 3 PARTS LIST

-FEED MECHANISM - 052

REF.	PART NO.	DESCRIPTION
36	382877	ROTATING HOOK DRIVE SHAFT BEVEL GEAR (PLASTIC).
37	141338-869	ROTATING HOOK DRIVE SHAFT BEVEL GEAR (PLASTIC) SET SCREW.
38	141814-451	FEED LIFTING FORK HINGE STUD SET SCREW.
39	383524	FEED REGULATOR.
40	511030	FEED REGULATOR SLIDE BLOCK.
41	141818-869	FEED REGULATOR SET SCREW.
42	141814-451	FEED REGULATOR SHAFT BUSHING (LEFT) SET SCREW.
43	174218	FEED DRIVE SHAFT (174218-900 MACHINED).
44	174491	FEED DRIVE SHAFT GEAR (HELICAL, PLASTIC).
45	141338-869	FEED DRIVE SHAFT GEAR (HELICAL, PLASTIC) SET SCREW.
46	163562	FEED DRIVE SHAFT RETAINING RING.
47	141815-830	FEED DRIVE SHAFT BUSHING (RIGHT) SET SCREW.

004

## 1060F 3 PARTS LIST

REF.	PART NO.	DESCRIPTION
48	141772-869	FEED REGULATOR SHAFT COLLAR SET SCREW.
49	174225	FEED REGULATOR SHAFT COLLAR.
50	383217	FEED REGULATOR SHAFT.
51	381726	FEED REGULATOR SHAFT CRANK CONNECTING LINK RETAINING RING (FRONT).
52	382602	FEED REGULATOR SHAFT CRANK CONNECTING LINK FRICTION SPRING (FRONT).
53	383351	FEED REGULATOR SHAFT CRANK CONNECTING LINK WITH MOLDED PLASTIC SOCKETS.
54	312349	FEED REGULATOR SHAFT CRANK HINGE STUD.
55	139878-869	FEED REGULATOR SHAFT CRANK SET SCREW.
56	354575-451	FEED REGULATOR SHAFT CRANK HINGE STUD SET SCREW.
57	382296-001	FEED REGULATOR SHAFT CRANK.
58	141338-869	ROTATING HOOK DRIVE SHAFT BELT PULLEY SET SCREW.
59	174282-001	ROTATING HOOK DRIVE SHAFT BELT PULLEY.
60	174235	ROTATING HOOK DRIVE SHAFT COLLAR.
61	141802-869	ROTATING HOOK DRIVE SHAFT COLLAR SET SCREW.
62	141891-830	ROTATING HOOK DRIVE SHAFT BUSHING (RIGHT) SET SCREW.
63	383436	FEED REGULATOR SHAFT CRANK CONNECTING LINK W/HINGE STUD.
64	382602	FEED REGULATOR SHAFT CRANK CONNECTING LINK FRICTION SPRING (BACK).
65	312347	FEED REGULATOR SHAFT CRANK CONNECTING LINK RETAINING WASHER (BACK).
66	382330	FEED REGULATOR SHAFT CRANK CONNECTING LINK RETAINING CLIP (BACK).
67	383218	ROTATING HOOK DRIVE SHAFT.
68	174488	FEED DRIVE SHAFT DRIVING GEAR (HELICAL, PLASTIC).

005

From the library of: Diamond Needle Corp

## 1060F 3 PARTS LIST

-COVERS - 128

REF.	PART NO.	DESCRIPTION
01	182213-452	ARM TOP COVER COMPL..
02	182198	FACE PLATE CATCH.
03	141246-814	FACE PLATE CATCH SCREW.
04	174406	TENSION RELEASING LEVER.
05	141879-803	TENSION RELEASING LEVER MOUNTING BRACKET SCREW.
06	141879-803	TENSION SPRING ADJUSTING SCREW MOUNTING BRACKET SCREW.
07	172867	TENSION SPRING ADJUSTING SCREW MOUNTING BRACKET.
08	174404	TENSION REGULATING SLIDE PLATE.
09	172906	TENSION REGULATING SLIDE PLATE SPRING CLIP.
11	354623-451	TENSION INDICATOR DIAL HINGE SCREW.
12	506479	TENSION INDICATOR DIAL HINGE SCREW FRICTION WASHER.
13	174400-656	TENSION INDICATOR DIAL (174399-900 NOT STAMPED WITH GRAPHICS '0' THRU '9' ACROSS THE DIAL FACE).
14	174403	TENSION REGULATING SLIDE.
15	172675	TENSION INDICATOR DIAL WASHER.
16	172731	TENSION SPRING ADJUSTING SCREW WASHER.
17	172865	TENSION SPRING.
18	139925-451	TENSION SPRING ADJUSTING SCREW (139925-453 WITH FUSED PLASTIC MATERIAL).
19	172866	TENSION SPRING ADJUSTING SCREW MOUNTING BRACKET.
20	139878-869	TENSION STUD SET SCREW.
21	174397	TENSION DISC PRESSURE PIN (174397-900 PLATED).
22	174416	THREAD TAKE-UP SPRING.
23	174394	TENSION CAP & SLACK THREAD REGULATOR FRICTION WASHER.
24	174393-656	TENSION CAP & SLACK THREAD REGULATOR (PLASTIC).
25	174395-644	TENSION CAP & SLACK THREAD REGULATOR NUT (174395-900 PLATED).

006

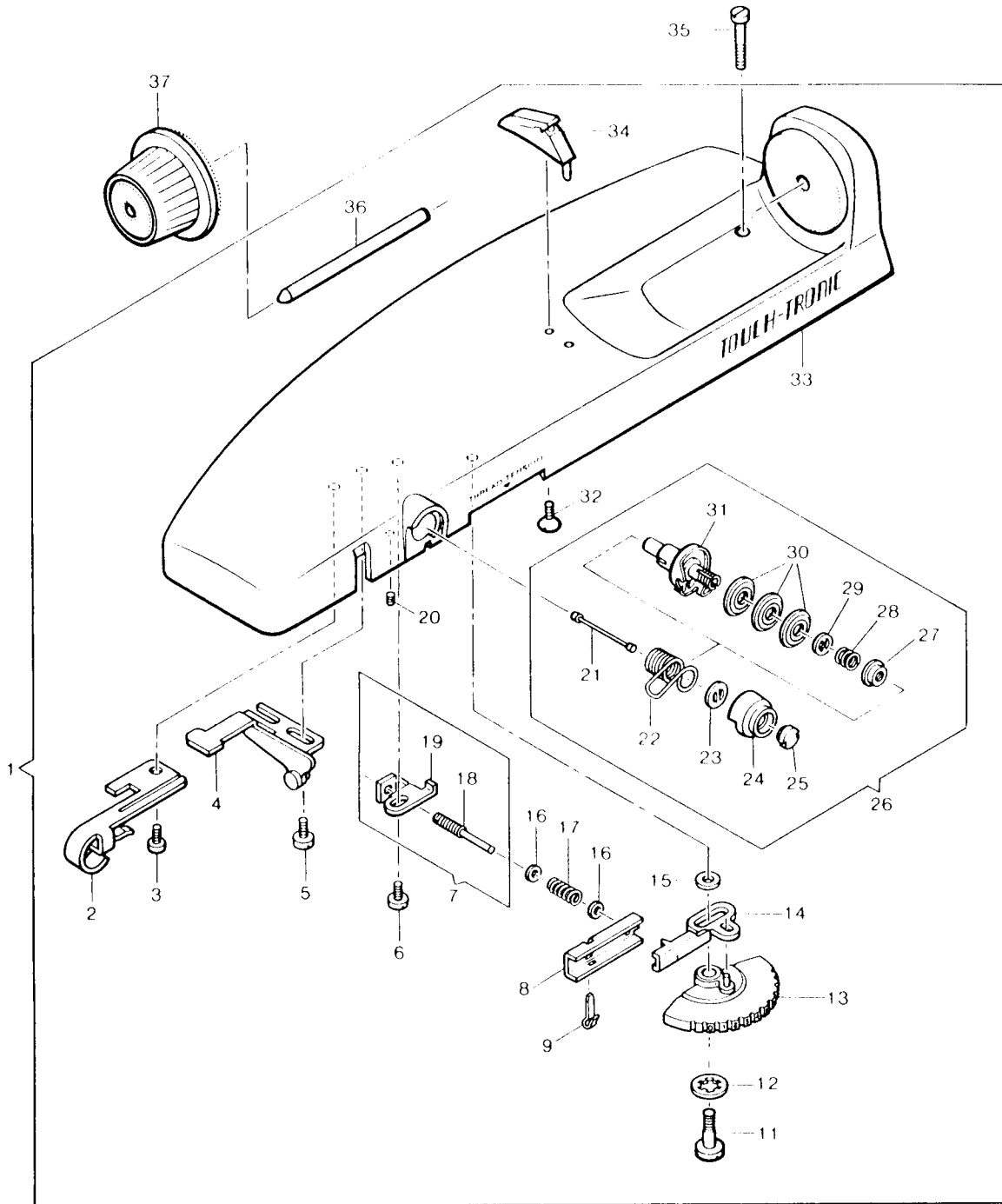
## 1060E 3 PARTS LIST

-COVERS - 128

REF.	PART NO.	DESCRIPTION
26	172819-656	TENSION COMPL.
27	174419	PRE-TENSION SPRING ADJUSTING NUT.
28	174418	PRE-TENSION SPRING.
29	174398	TENSION DISC PRESSURE PLATE.
30	174396	TENSION DISC.
31	172690	TENSION STUD.
32	354143-451	ARM TOP COVER THREAD GUIDE SCREW.
33	174359-656	ARM TOP COVER (174359-900 MACHINED & PAINTED).
34	381790-451	ARM TOP COVER THREAD GUIDE COMPL.
35	354743-451	ARM TOP COVER SCREW.
36	174391-656	ARM TOP COVER SPOOL PIN (PLASTIC).
37	163149-004	ARM TOP COVER SPOOL PIN THREAD LEAD-OFF COMPL..

From the library of: Diamond Needle Corp

- COVERS - 128





## 1060E 3 PARTS LIST

-COVERS - 128

REF.	PART NO.	DESCRIPTION
38	382716-451	BED (CONVERTIBLE) LID COMPL..
39	382741	BED (CONVERTIBLE) LID HINGE PIN.
40	507563	BED (CONVERTIBLE) LID HINGE PIN RETAINING RING.
41	381878	BED (CONVERTIBLE) LID POSITIONING BUTTON (PLASTIC).
42	381876	BED (CONVERTIBLE) LID HINGE SPRING.
43	382740	BED (CONVERTIBLE) LID HINGE BRACKET.
44	141860-814	BED (CONVERTIBLE) LID HINGE BRACKET SCREW.
45	381877	BED (CONVERTIBLE) LID LATCH SPRING.
46	382983-451	BED (CONVERTIBLE) LID LATCH (PLASTIC).
47	182195	BED (CONVERTIBLE) LID LATCH RETAINING RING.
48	619491-001	BED (CONVERTIBLE) LID PAD (SELF ADHESIVE).
49	172804	THREADING DIAGRAM RETAINER.
50	174470-656	THREADING DIAGRAM.

007

## 1060E 3 PARTS LIST

REF.	PART NO.	DESCRIPTION
51	174177-656	FACE PLATE.
52	174178-656	FACE PLATE.
53	383226-451	BED (CONVERTIBLE) COVER (BOTTOM).
54	382337	BED (CONVERTIBLE) COVER (BOTTOM) CUSHION.
55	354222-451	BED (CONVERTIBLE) COVER (BOTTOM) CUSHION SCREW.
56	381899	BED (CONVERTIBLE) COVER (BOTTOM) CUSHION (RUBBER).
57	141860-814	BED (CONVERTIBLE) COVER (BOTTOM) FASTENING SCREW.
58	381893-451	BED (CONVERTIBLE) COVER (BOTTOM) ACCESS HOLE PLUG (PLASTIC).
59	382337	BED (CONVERTIBLE) CUSHION.
60	381899	BED (CONVERTIBLE) CUSHION (RUBBER).
61	354222-451	BED (CONVERTIBLE) CUSHION SCREW.

From the library of: Diamond Needle Corp

## 1060E 3 PARTS LIST

-HEAD END &amp; HAND WHEEL - 133

REF.	PART NO.	DESCRIPTION
01	182086	ARM TOP COVER CATCH LOCKING SCREW STUD, NEEDLE BAR VIBRATING BRACKET HINGE PIN (ECCENTRIC) CLAMPING SCREW.
02	172793	TENSION RELEASING PIN RETAINING CLIP.
03	383237	NEEDLE BAR VIBRATING BRACKET HINGE PIN (ECCENTRIC).
04	383254	NEEDLE BAR VIBRATING BRACKET HINGE PIN RETAINING RING.
05	502335	NEEDLE BAR VIBRATING BRACKET COMPL..
06	503288	NEEDLE BAR VIBRATING BRACKET HINGE PIN COLLAR.
07	141854-809	PRESSER BAR PRESSURE REGULATING KNOB BRACKET SCREW.
08	172878	PRESSER BAR PRESSURE REGULATING EXTENSION PIN.
09	53650-451	PRESSER BAR PRESSURE REGULATING KNOB ADJUSTING SCREW NUT.
10	141944-451	PRESSER BAR PRESSURE REGULATING KNOB ADJUSTING SCREW.
11	172683-656	PRESSER BAR PRESSURE REGULATING KNOB.
12	172989	PRESSER BAR LIFTER.
13	139963-451	PRESSER BAR LIFTER HINGE SCREW.
14	139880-830	THREAD GUIDE (UPPER) SET SCREW.
15	141904-830	PRESSER BAR BUSHING SET SCREW.
16	141897-451	NEEDLE BAR BALL BUSHING (LOWER) ADJUSTING SCREWSET SCREW (IN MACHINE HEAD).
17	163117-002	THREAD GUIDE (LOWER).
18	172220	NEEDLE BAR BALL BUSHING (LOWER) ADJUSTING SCREW (IN MACHINE HEAD).
19	172036	NEEDLE BAR BALL BUSHING (LOWER) SOCKET (LOWER) (IN MACHINE HEAD).
20	163804	NEEDLE BAR BALL BUSHING (LOWER) (IN MACHINE HEAD).
21	507804	NEEDLE BAR BALL BUSHING (LOWER) SOCKET (UPPER) (IN MACHINE HEAD).
22	172839-002	THREAD GUIDE (UPPER) (172839-901 MACHINED).

009

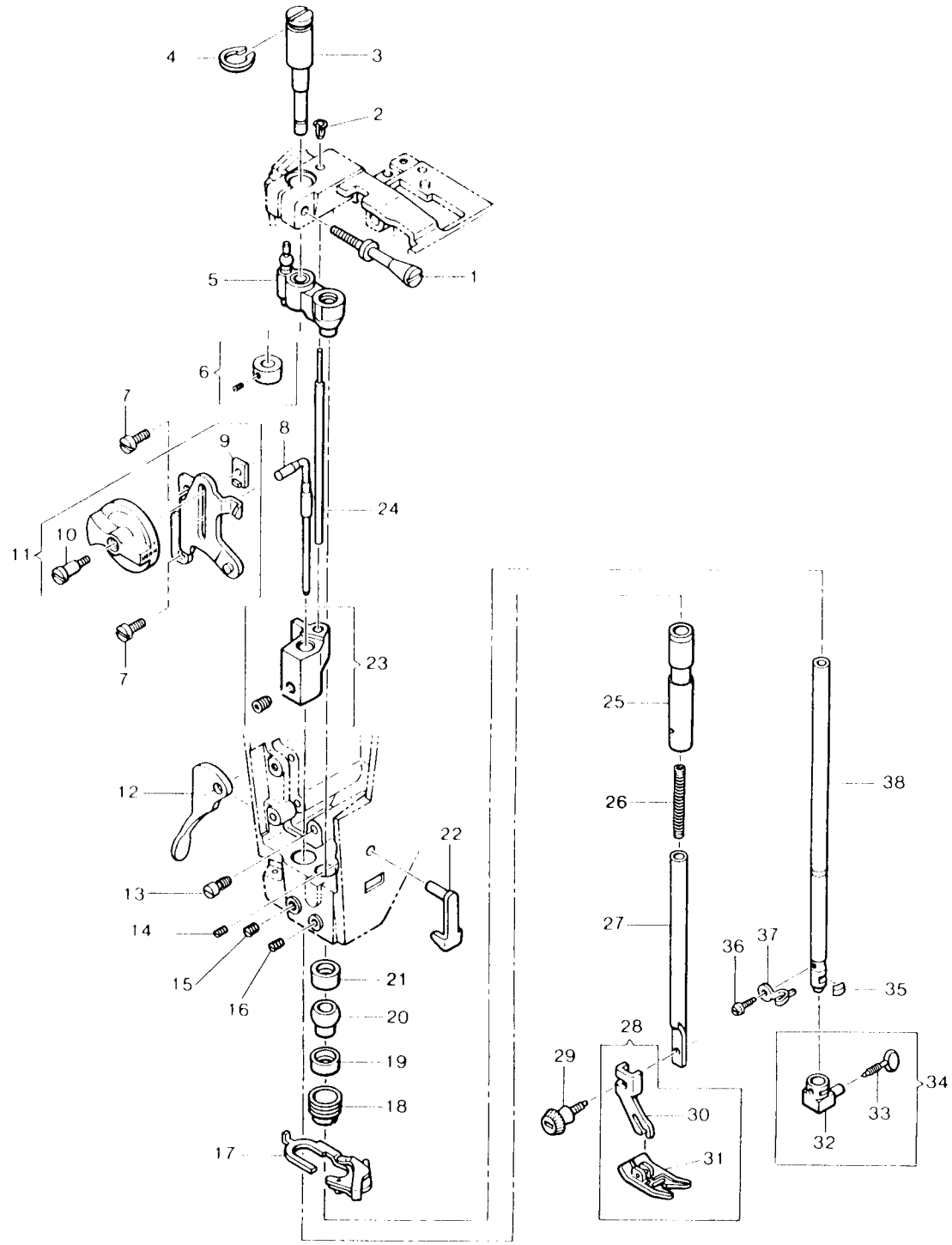
## 1060E 3 PARTS LIST

-HEAD END &amp; HAND WHEEL - 133

REF.	PART NO.	DESCRIPTION
23	172594	PRESSER BAR GUIDE BRACKET.
24	174409	TENSION RELEASING PIN.
25	172069-001	PRESSER BAR BUSHING.
26	172879	PRESSER BAR SPRING.
27	383097	PRESSER BAR (HOLLOW).
28	383192	PRESSER FOOT (SNAP-ON) COMPL. FOR ZIG-ZAG SEWING.
29	354135-452	PRESSER FOOT THUMB SCREW.
30	163706	PRESSER FOOT SHANK (SNAP-ON) (163706-902 MACHINED).
31	502280	PRESSER FOOT PLATE (SNAP-ON) FOR ZIG-ZAG SEWING (502280-900 PLATED).
32	163122	NEEDLE CLAMP BODY.
33	140751-853	NEEDLE THUMB SCREW.
34	163123	NEEDLE CLAMP.
35	163822	NEEDLE BAR GIB.
36	141453-880	NEEDLE CLAMP BODY, NEEDLE CLAMP THREAD GUIDE & NEEDLE STOP SCREW.
37	163431	NEEDLE CLAMP THREAD GUIDE.
38	172033-001	NEEDLE BAR (HOLLOW) (172033-902 PLATED).

From the library of: Diamond Needle Corp.

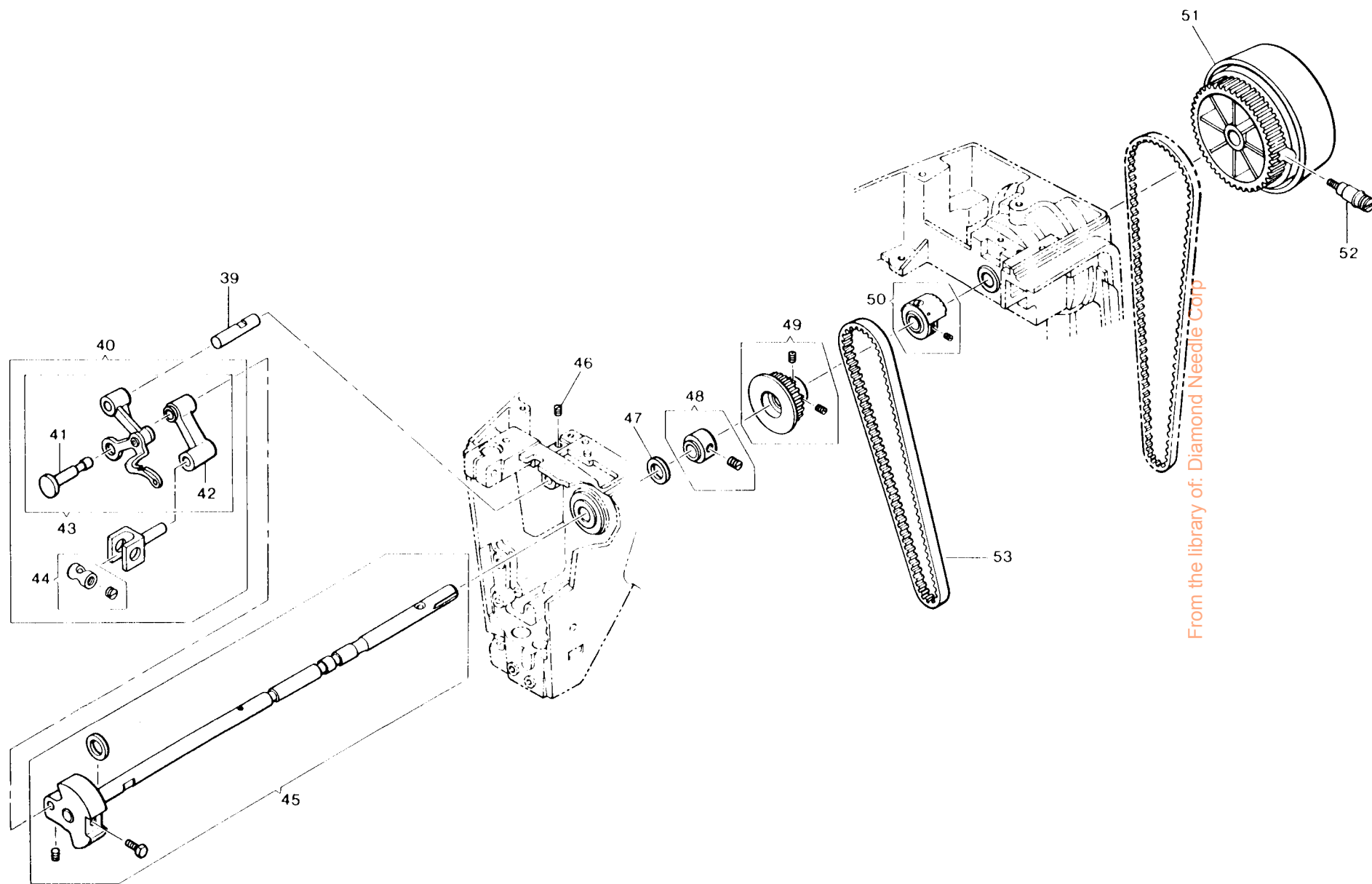
- HEAD AND HAND WHEEL - 133



From the library of: Diamond Needle Corp



- HEAD END AND HAND WHEEL - 133



From the library of: Diamond Needle Corp

## 1060F 3 PARTS LIST

-HEAD END &amp; HAND WHEEL - 133

REF.	PART NO.	DESCRIPTION
39	172608	THREAD TAKE-UP LEVER LINK HINGE STUD.
40	172834	THREAD TAKE-UP LEVER.
41	383109	THREAD TAKE-UP STUD.
42	507650	NEEDLE BAR CONNECTING LINK.
43	172833	THREAD TAKE-UP LEVER.
44	172044	NEEDLE BAR CONNECTING STUD HINGE PIN.
45	383311	ARM SHAFT (HORIZONTAL).
46	141907-830	THREAD TAKE-UP LEVER LINK HINGE STUD SCREW.
47	181620	ARM SHAFT (HORIZONTAL) RETAINING COLLAR THRUST WASHER (PLASTIC).
48	383252	ARM SHAFT (HORIZONTAL) RETAINING COLLAR.
49	383241	ARM SHAFT (HORIZONTAL) BELT PULLEY.
50	383534	SHUNT ASSEMBLY.
51	383230-451	HAND WHEEL.
52	514566-451	HAND WHEEL SCREW.
53	174283	BELT (ROTATING HOOK DRIVE).

From the library of: Diamond Needle Corp

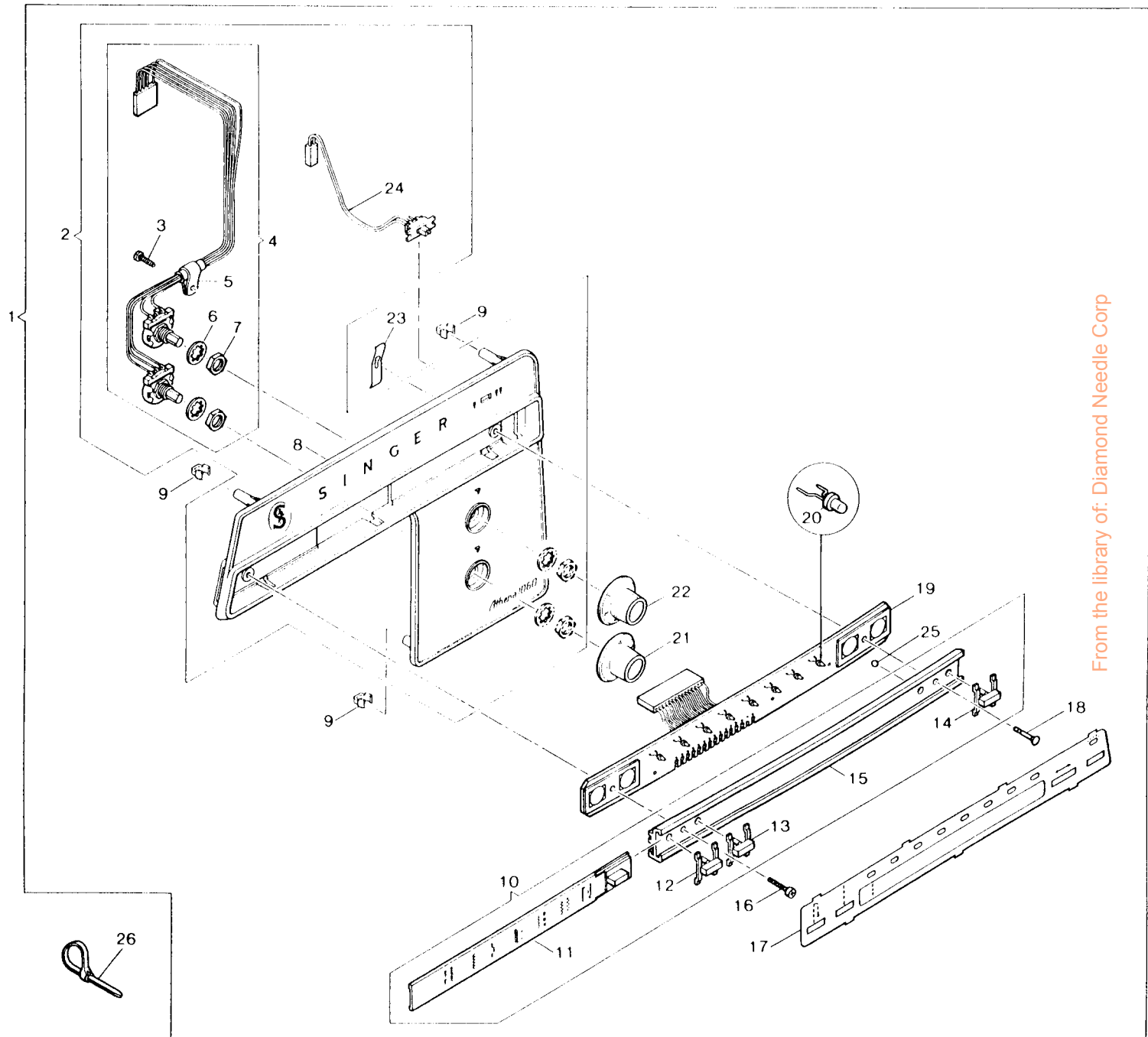
## 1060F 3 PARTS LIST

-ELECTRONICS FOR CONTROL PANEL - 6211

REF.	PART NO.	DESCRIPTION
01	605275-001	CONTROL PANEL ASSEMBLY.
02	605270-001	CONTROL PANEL W/POTENTIOMETERS & TWIN NEEDLE SAFETY SWITCH & HARNESS.
03	139985-451	LEAD CLAMP SCREW.
04	605255-001	BIGHT & FEED POTENTIOMETER & HARNESS ASSEMBLY.
05	977611-010	LEAD CLAMP.
06	931555-043	WASHER.
07	605012-001	NUT.
08	383219-451	CONTROL PANEL (HOT STAMPED).
09	103761	CONTROL PANEL FASTENER.
10	383338-451	CONTROL SYSTEM MOUNTING FRAME ASSEMBLY.
11	312258-452	PATTERN SELECTOR CONTROL SLIDE (W/GRAPHICS).
12	311911-452	CONTROL SYSTEM SWITCH BUTTON (REVERSE) (PLASTIC).
13	311911-452	CONTROL SYSTEM SWITCH BUTTON (STRAIGHT STITCH) (PLASTIC).
14	311911-452	CONTROL SYSTEM SWITCH BUTTON (PATTERN SELECTOR) (PLASTIC).
15	311907-452	CONTROL SYSTEM MOUNTING FRAME (MACHINED).
16	354536-451	PATTERN SELECTOR CONTROL SLIDE MOUNTING SCREW.
17	383231-451	PATTERN SELECTOR CONTROL WINDOW (HOT STAMPED).
18	312169	CONTROL SYSTEM MOUNTING FRAME RETAINING STUD.
19	605186-002	PATTERN SELECTION P.C BOARD ASSEMBLY (MOLEX).
20	605534-001	L.F.D (LIGHT EMITTING DIODE RED) (OPCOA MSL-7).
21	383426-451	FEED CONTROL DIAL COMPL..
22	312261-452	BIGHT CONTROL DIAL COMPL..
23	312170	CONTROL SYSTEM MOUNTING FRAME RETAINING STUD CLIP.
24	605182-002	TWIN NEEDLE SAFETY SWITCH & HARNESS (MOLEX).
26	605600-001	TY-RAP.

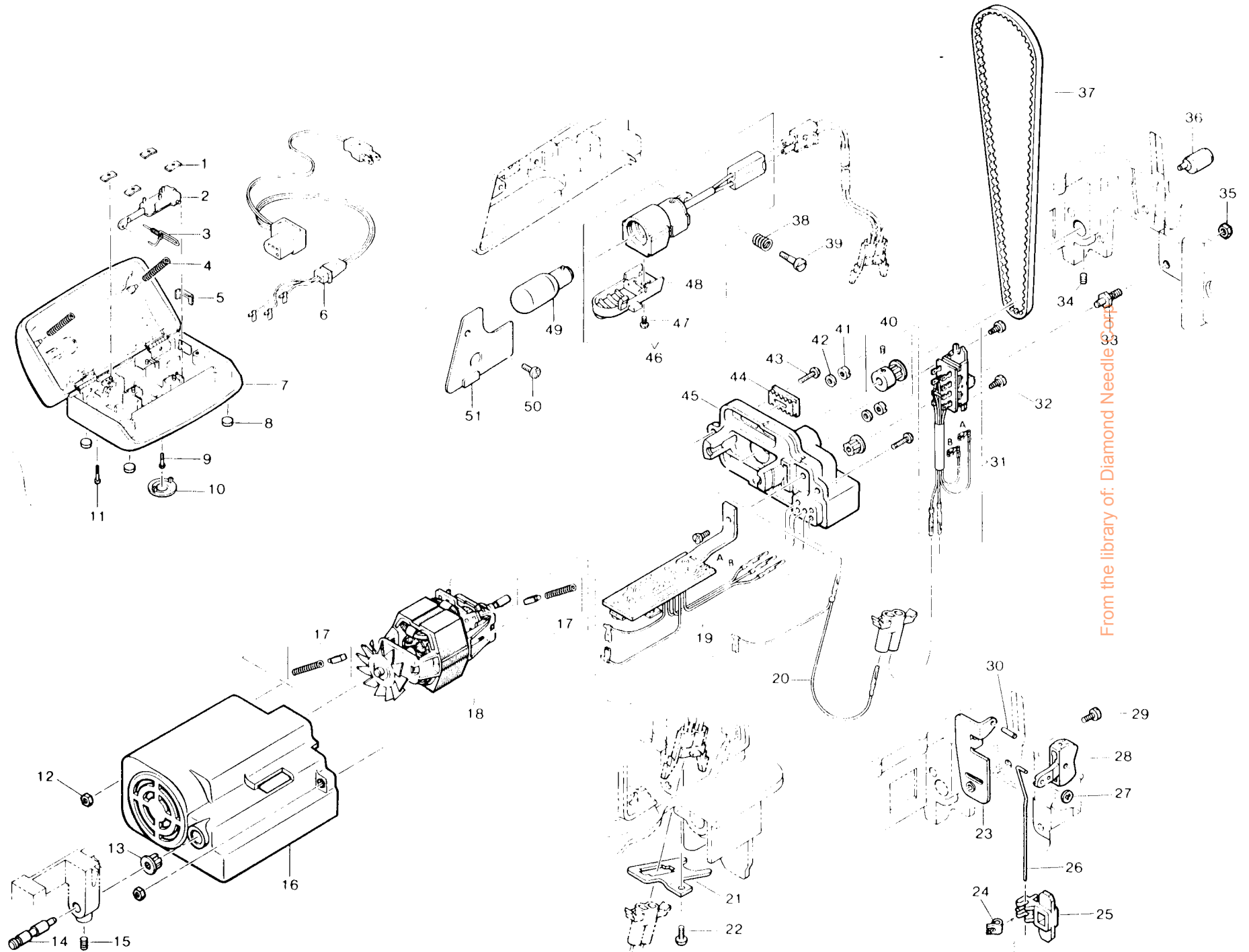
From the library of: Diamond Needle Corp

- ELECTRONICS FOR CONTROL PANEL - 6211



From the library of: Diamond Needle Corp

- ELECTRICAL EQUIPMENT (110-120 VOLTS) - 6311



From the library of: Diamond Needle Corp.

## 1060E 3 PARTS LIST

-ELECTRICAL EQUIPMENT (110-120 VOLTS) - 6311

REF.	PART NO.	DESCRIPTION
01	618538-002	PUSH-ON NUT.
02	604173-002	STRAIGHT LINE POTENTIOMETER.
03	619184-001	ACTUATING LEVER WITH TORSION SPRING.
04	618542-001	PEDAL RETURN SPRING.
05	618813-001	STRAIN RELIEF CLIP.
06	604278-001	CORD COMPL..
07	619489-003	BASE & PEDAL ASSEMBLED.
08	619491-001	RUBBER FEET.
09	619192-001	SHOULDER SCREW.
10	619492-001	SNAP-ON PLUG.
11	604636-001	SECURITY SCREW (ALTERNATE FOR ST. JOHNS).
12	706404-017	HEX NUT NO. 4-40.
13	604229-001	BUSHING.
14	381691	MOTOR HINGE PIN (LEFT).
15	354706-451	MOTOR HINGE PIN (LEFT) SFT SCREW.
16	604034-002	COVER.
17	619434-002	BRUSH WITH SPRING.
18	604299-002	MOTOR MODULE.
19	604787-001	CIRCUIT BOARD ASSEMBLY.
20	604488-002	LEAD HARNESS.
21	383284	MOTOR HARNESS MOUNTING BRACKET.
22	141353-814	MOTOR HARNESS MOUNTING BRACKET SCREW.
23	383238	LIGHT SWITCH ACTUATING ROCKER BUTTON BRACKET.
24	382330	LIGHT SWITCH ACTUATING BRACKET SPRING CLIP.
25	382382	LIGHT SWITCH ACTUATING BRACKET (PLASTIC).

## 1060E 3 PARTS LIST

-ELECTRICAL EQUIPMENT (110-120 VOLTS) - 6311 .

REF.	PART NO.	DESCRIPTION
26	383239	LIGHT SWITCH ACTUATING ROD.
27	381513	LIGHT SWITCH ACTUATING ROD RETAINING RING.
28	38323-451	LIGHT SWITCH ACTUATING ROCKER BUTTON (PLASTIC).
29	354700-451	LIGHT SWITCH ACTUATING ROCKER BUTTON BRACKET SCREW.
30	503240	LIGHT SWITCH ACTUATING ROCKER BUTTON PIN.
31	604783-001	SWITCH COMPLETE.
32	618634-004	SELF TAPPING SCREW (SWITCH).
33	383228	MOTOR HINGE PIN (RIGHT).
34	354706-451	MOTOR ADJUSTING STUD (ECCENTRIC) SFT SCREW.
35	53648-816	MOTOR HINGE PIN (RIGHT) NUT.
36	383232	MOTOR ADJUSTING STUD (ECCENTRIC).
37	603275-007	BELT (MOTOR).
38	603987-001	LIGHT BRACKET SPRING.
39	619407-003	LIGHT BRACKET MOUNTING SCREW.
40	604431-002	PULLEY COMPL. W/SFT SCREW.
41	603907-002	NUT.
42	604018-001	WASHER.
43	140677-003	ROUND HEAD SCREW NO. 4-40.
44	604728-001	MOTOR ADJUSTING BLOCK.
45	604035-007	COMMUTATOR END HOUSING W/NAME PLATE.
46	605170-001	LIGHT COMPL..
47	618702-003	SCREW.
49	777410-007	LAMP.
50	354334-451	LIGHT SHIELD SCREW.
51	383249	LIGHT SHIELD.
52	604788-001	MOTOR COMPLETE (CAT. NO. RA9-8).
53	604280-001	CONTROLLER COMPLETE (CAT. NO. 508).

From the library of: Diamond Needle Corp.

## 1060E 3 PARTS LIST

-FEED DRIVE LINEAR MOTOR - 651

REF.	PART NO.	DESCRIPTION
01	605181-002	LEAD W/RECEPTACLE (WHITE).
02	605181-001	LEAD W/RECEPTACLES (BLACK).
03	605274-001	TRANSFORMER ASSEMBLY.
04	354700-451	TRANSFORMER MOUNTING BRACKET SCREW (TOP BACK).
05	383248	TRANSFORMER & CAPACITOR HOUSING COVER.
06	383246	TRANSFORMER MOUNTING BRACKET.
07	383297	TRANSFORMER MOUNTING SCREW INSULATED BUSHING (SHORT).
08	514607-451	TRANSFORMER MOUNTING SCREW NUT.
09	383296	TRANSFORMER MOUNTING SCREW INSULATED BUSHING (LONG).
10	383221	BELT IDLER STUD ROLLER (PLASTIC).
11	45971	BELT IDLER STUD ROLLER RETAINING RING.
12	383303	STRAIGHT STITCH SAFETY SWITCH ACTUATING PLUNGER.
13	383289	STRAIGHT STITCH SAFETY SWITCH MOUNTING BRACKET (PLASTIC).
14	354136-452	STRAIGHT STITCH SAFETY SWITCH MOUNTING BRACKET SCREW.
15	382869	STRAIGHT STITCH SAFETY SWITCH HARNESS RETAINING CLIP.
16	605600-001	TY-RAP.
17	605245-001	HARNESS WITH MOUNTING BRACKET, AND STRAIGHT STITCH SAFETY SWITCH, TO LOGIC SERVØ P.C. BOARD.
18	383220	BELT IDLER STUD.
19	103738	BELT IDLER STUD WASHER.
20	179743-451	BELT IDLER STUD NUT.
21	354699-451	TRANSFORMER MOUNTING BRACKET SCREW (FRONT).
22	605168-001	HARNESS COMPL.
23	383301	CIRCUIT BREAKER HOUSING.
24	605172-001	CIRCUIT BREAKER.
25	383302	CIRCUIT BREAKER HOUSING COVER.

016

## 1060F 3 PARTS LIST

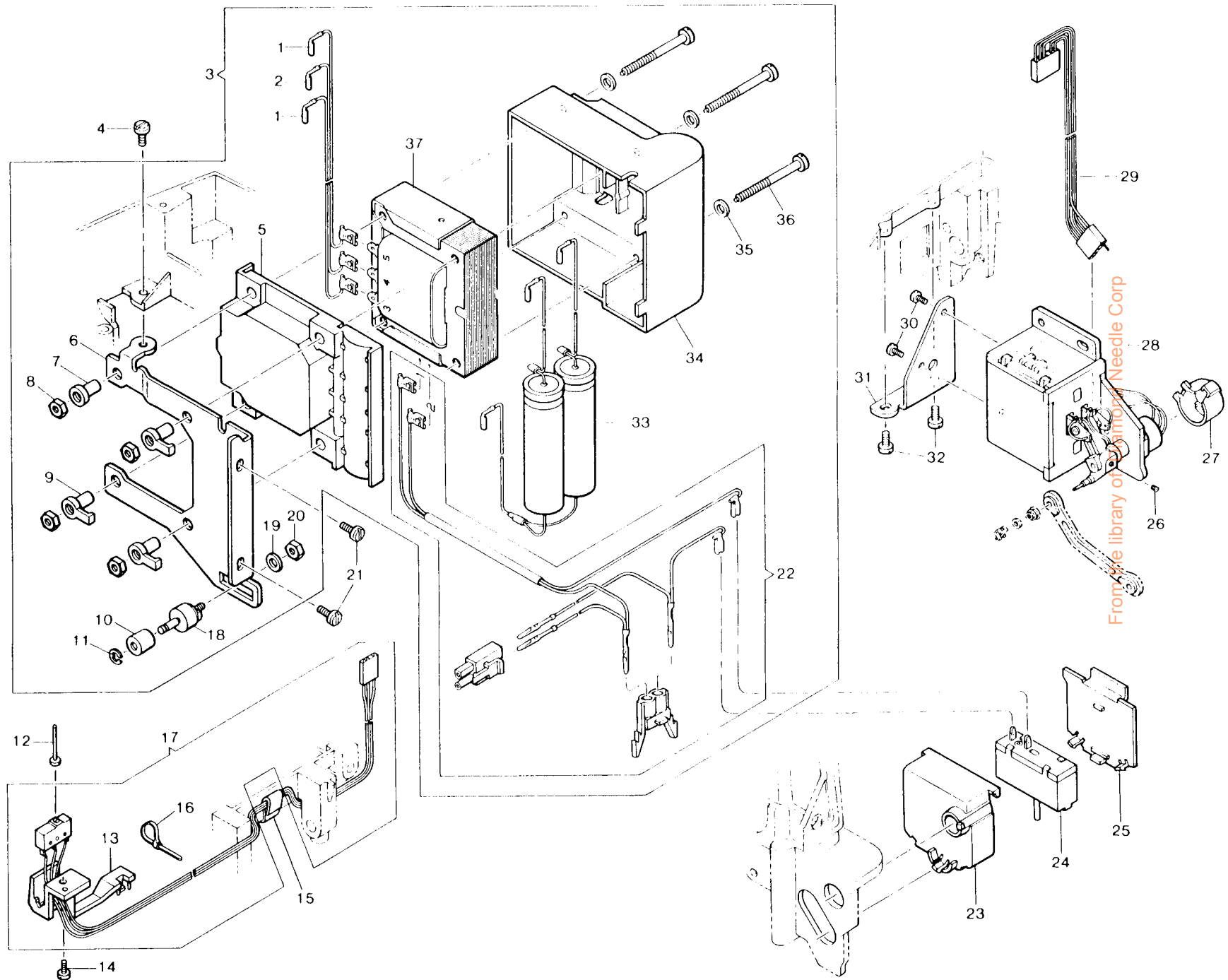
-FEED DRIVE LINEAR MOTOR - 651

REF.	PART NO.	DESCRIPTION
26	354660-451	FEED DRIVE LINEAR MOTOR POTENTIOMETER DRIVING LEVER SET SCREW.
27	382909	FEED DRIVE LINEAR MOTOR POTENTIOMETER CAP (PLASTIC).
28	383212	FEED DRIVE LINEAR MOTOR ASSEMBLY.
29	605251-001	HARNESS COMPL. (FEED MOTOR TO LOGIC/SERVØ P.C. BOARD).
30	141824-814	FEED DRIVE LINEAR MOTOR MOUNTING SCREW.
31	383224	FEED DRIVE LINEAR MOTOR BRACKET.
32	354699-451	FEED DRIVE LINEAR MOTOR BRACKET SCREW.
33	605176-001	CAPACITORS W/HARNESS.
34	383247	TRANSFORMER & CAPACITOR HOUSING.
35	502495	TRANSFORMER MOUNTING SCREW WASHER.
36	354694-451	TRANSFORMER MOUNTING SCREW.
37	605546-003	TRANSFORMER.

017

From the library of: Diamond Needle Corp

- FEED DRIVE LINEAR MOTOR - 651



From the library of Cannon Needle Corp



## 1060E 3 PARTS LIST

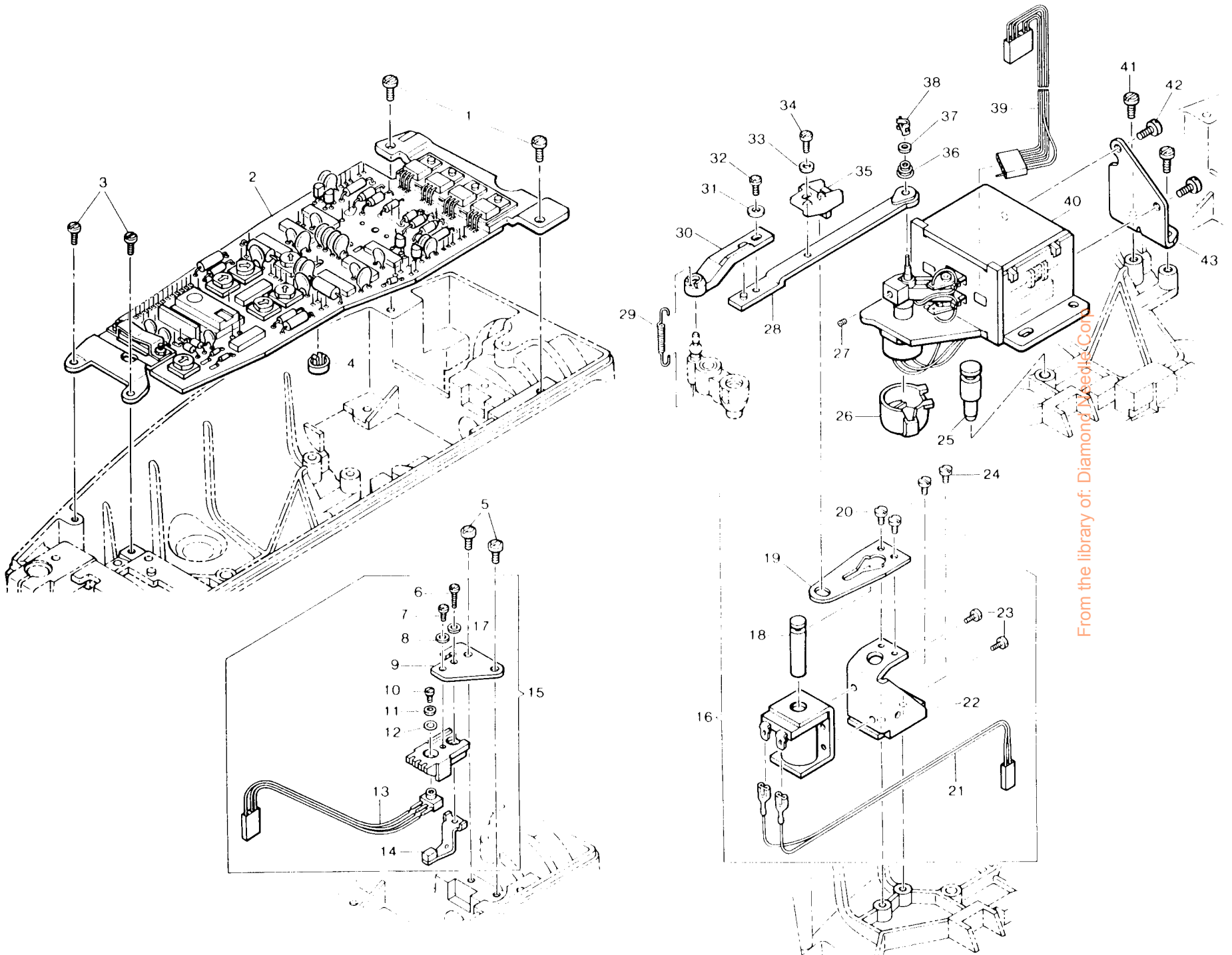
## -RIGHT DRIVE MECHANISM - 671

REF.	PART NO.	DESCRIPTION
01	354699-451	LOGIC/SERVO P.C. BOARD HEAT SINK SCREW.
02	605221-002	LOGIC/SERVO P.C. BOARD ASSEMBLY.
03	354701-451	LOGIC/SERVO P.C. BOARD SCREW (LEFT).
04	383271	LOGIC/SERVO P.C. BOARD SUPPORT (PLASTIC).
05	354701-451	SENSOR MOUNTING BRACKET SCREW.
06	354697-451	MAGNET MOUNTING BRACKET SCREW.
07	605064-001	SENSOR & MAGNET HOLDING BLOCK SCREW.
08	703473-086	SENSOR & MAGNET HOLDING BLOCK SCREW LOCK WASHER.
09	383250	SENSOR MOUNTING BRACKET.
10	354579-451	SENSOR SWITCH MOUNTING SCREW.
11	931929-004	SENSOR SWITCH MOUNTING SCREW WASHER.
12	383073	SENSOR SWITCH MOUNTING SCREW SPACER (RUBBER).
13	605259-001	SENSOR SWITCH HARNESS.
14	604812-001	MAGNET & BRACKET ASSMBLY.
15	605277-002	SENSOR ASSEMBLY W/BRACKET.
16	383465	NEEDLE BAR DRIVING ARM POSITIONING SOLENOID COMPL..
17	703473-086	MAGNET MOUNTING BRACKET SCREW LOCK WASHER.
18	382640	STRAIGHT STITCH SAFETY SOLENOID PLUNGER.
19	382639	NEEDLE BAR DRIVING ARM POSITIONING LEVER.
20	354037-451	NEEDLE BAR DRIVING ARM POSITIONING LEVER MOUNTING SCREW.
21	605184-002	HARNESS COMPL (STRAIGHT SAFETY SOLENOID TO LOGIC/SERVO (MOLEX)).
22	382935	NEEDLE BAR DRIVING ARM POSITIONING SOLENOID MOUNTING BRACKET.
23	354121-451	NEEDLE BAR DRIVING ARM POSITIONING SOLENOID MOUNTING SCREW.
24	354701-451	NEEDLE BAR DRIVING ARM POSITIONING SOLENOID MOUNTING BRACKET SCREW.

## 1060E 3 PARTS LIST

## -RIGHT DRIVE MECHANISM - 671

REF.	PART NO.	DESCRIPTION
26	383255	RIGHT DRIVE LINEAR MOTOR POTENTIOMETER CAP (PLASTIC).
27	354660-451	RIGHT DRIVE LINEAR MOTOR POTENTIOMETER DRIVING LEVER SET SCREW.
28	383222	NEEDLE BAR DRIVING ARM WITH MOLDED PLASTIC SOCKET.
29	503319	NEEDLE BAR DRIVING ARM BALL JOINT SPRING.
30	502356	NEEDLE BAR DRIVING ARM BALL JOINT.
31	506343	NEEDLE BAR DRIVING ARM BALL JOINT SCREW WASHER.
32	514650-451	NEEDLE BAR DRIVING ARM BALL JOINT SCREW.
33	506343	NEEDLE BAR DRIVING ARM STUD MOUNTING SCREW WASHER.
34	514650-451	NEEDLE BAR DRIVING ARM STUD MOUNTING SCREW.
35	382841	NEEDLE BAR DRIVING ARM STUD (PLASTIC).
36	382602	NEEDLE BAR DRIVING ARM SPRING.
37	312347	NEEDLE BAR DRIVING ARM RETAINING WASHER.
38	382330	NEEDLE BAR DRIVING ARM RETAINING CLIP.
39	605246-001	HARNESS COMPL. (RIGHT MOTOR TO LOGIC/SERVO P.C. BOARD).
40	383468	RIGHT DRIVE LINEAR MOTOR ASSEMBLY.
41	354699-451	RIGHT DRIVE LINEAR MOTOR BRACKET MOUNTING SCREW.
42	354538-451	RIGHT DRIVE LINEAR MOTOR MOUNTING SCREW.
43	383227	RIGHT DRIVE LINEAR MOTOR BRACKET.



From the library of: Diamond Media Corp.